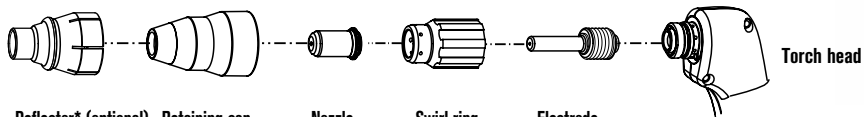


Hypertherm® powermax30®

T30v hand torch consumables



Standard consumables



Deflector* (optional)	Retaining cap	Nozzle	Swirl ring	Electrode
220569	220483	220480	220479	220478



TECHNOLOGIES

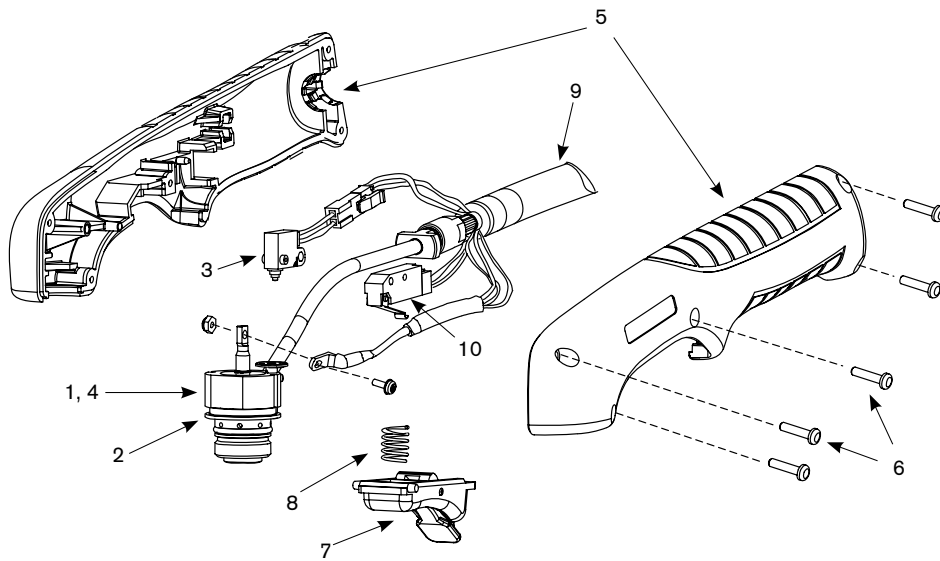
Dielectric shield

All-in-one and FineCut kits available. Visit www.hypertherm.com/consumablekits or see pages 87 – 88 for options.

* Optional deflector may be used to help maintain torch-to-work distance or may be used as a guide when cutting with templates.

Hypertherm and Powermax are trademarks of Hypertherm, Inc. and may be registered in the United States and/or other countries.

T30v hand torch assembly



Assembly

Part number	Description
088001*	T30v hand torch assembly with 15' (4.6 m) leads
1. 228112	Kit: T30v main body replacement
2. 058503	O-ring: Viton .626 x .070
3. 228109	Kit: Cap-off sensor replacement
4. 228110	Kit: T30v torch head repair
5. 228111	Kit: T30v torch handle replacement
6. 075339	Handle screws
7. 002244	Safety trigger
8. 027254	Spring
9. 228113	Kit: T30v 15' (4.6 m) torch lead replacement
10. 128642	Kit: T30v start switch replacement
123868	Work lead with clamp, 15' (4.6 m)

*Assembly includes consumables

