

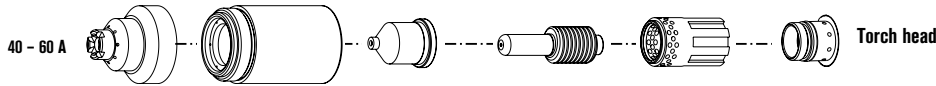
# Hypertherm®

## powermax1000® G3 SERIES™

### T60 hand torch consumables

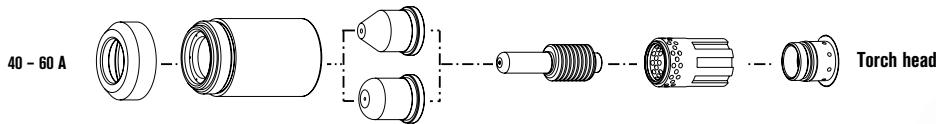


#### Shielded consumables



	Shield	Retaining cap	Nozzle	Electrode	Swirl ring
40 A	120929	120928	120932*	120926*	120925
60 A	120929	120928	120931*	120926*	120925

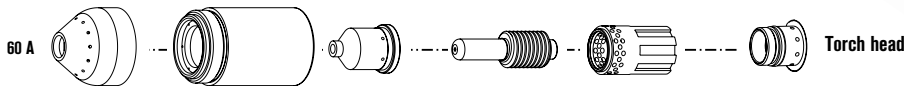
#### Unshielded\*\* consumables



	Deflector	Retaining cap	Nozzle	Electrode	Swirl ring
40 A	120979	120928	220006	120926*	120925
60 A	120979	120928	220007	120926*	120925

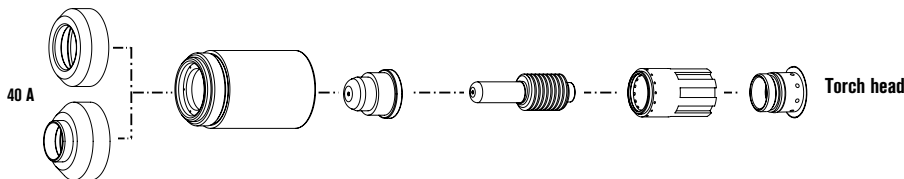


#### Gouging consumables



	Shield	Retaining cap	Nozzle	Electrode	Swirl ring
60 A	120977	120928	220059	120926*	120925

#### FineCut consumables



	Deflector	Retaining cap	Nozzle	Electrode	Swirl ring
40 A	120979	120928	220329	120926*	220327
40 A CE***	220325	120928	220329	120926*	220327



For improved performance, retrofit with a Duramax HRT [see page 83].

#### TECHNOLOGIES

**FineCut®**  
**Coaxial-assist™ jet**  
**Vented shield**  
**Spiral groove**  
**HyLife®**

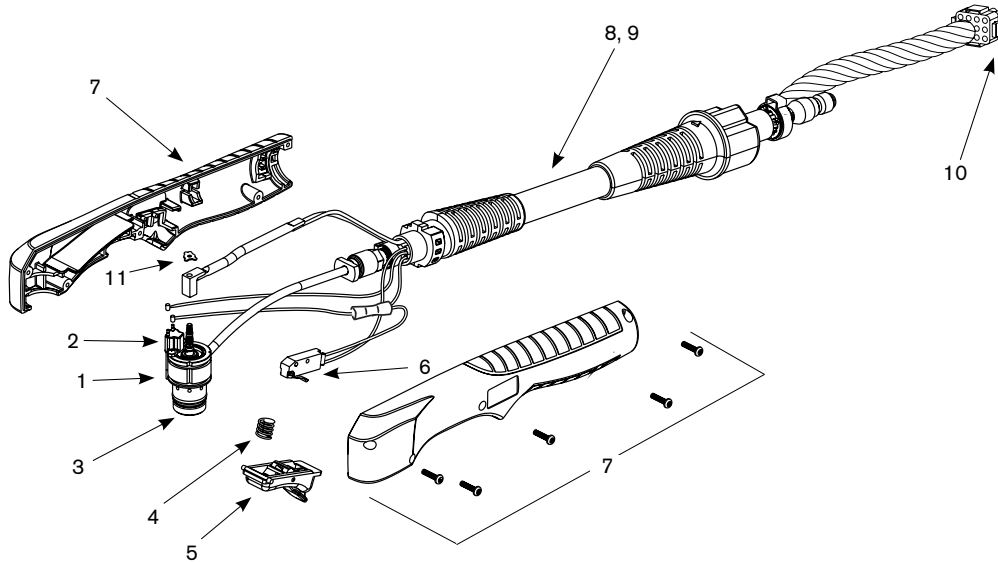
\* Consumables available in multiple packaging options, see page 87 for bulk package information.

\*\* In countries following CE standards, unshielded consumables may only be used in mechanized torch applications.

\*\*\* CE shield for use in countries requiring CE, CCC, GOST marks.

# powermax1000

## T60 hand torch assembly



### Assembly

Part number	Description
083172*	T60 hand torch assembly with 25' (7.6 m) leads
083171*	T60 hand torch assembly with 50' (15.2 m) leads
083208*	T60 hand torch assembly with 75' (22.9 m) leads
059309*	Test torch with 6' (1.8 m) leads
1. 128564	Kit: T60/T80 torch main body replacement (does not include cap sensor)
2. 128639	Kit: Cap sensor switch replacement
075571	Cap-off sensor screws
3. 128521	Kit: T60/T80, T60M/T80M torch head repair (does not include head)
4. 027254	Trigger spring
5. 002244	Safety trigger assembly
6. 128642	Kit: T60/T80 start switch replacement
7. 128644	Kit: T60/T80 torch handle replacement
8. 128681	Kit: T60 lead replacement, 25' (7.6 m)
9. 128682	Kit: T60 lead replacement, 50' (15.2 m)
10. 128638	Kit: ETR connector repair (regional repair centers only)
11. 027889	Retaining clip
123645	Work lead with clamp, 20' (6.1 m)
128717	Work lead with clamp, 50' (15.2 m)

\*Assembly includes consumables



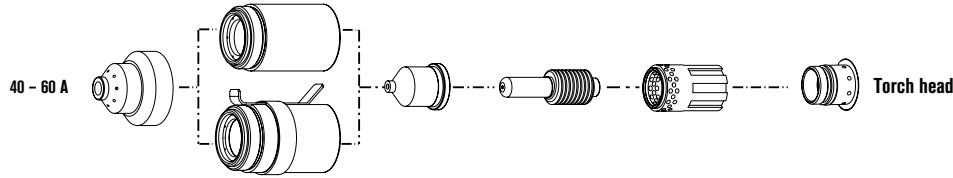
# Hypertherm®

## powermax1000™ G3 SERIES™

### T60M machine torch consumables

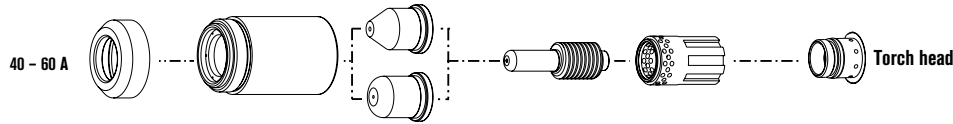


#### Shielded consumables



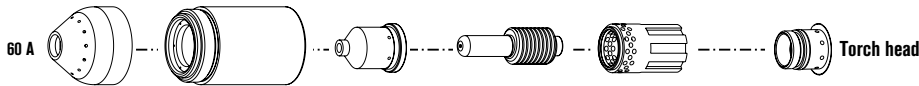
	Shield	Retaining cap	Nozzle	Electrode	Swirl ring
40 A	120930	120928	120932*	120926*	120925
60 A	120930	120928	120931*	120926*	120925
Ohmic		220061			

#### Unshielded consumables



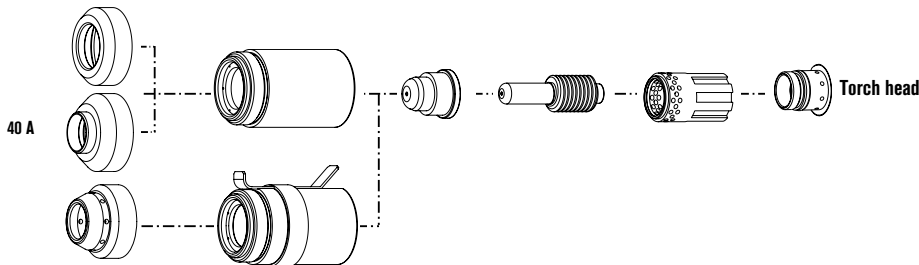
	Deflector	Retaining cap	Nozzle	Electrode	Swirl ring
40 A	120979	120928	220006	120926*	120925
60 A	120979	120928	220007	120926*	120925

#### Gouging consumables



	Shield	Retaining cap	Nozzle	Electrode	Swirl ring
60 A	120977	120928	220059	120926*	120925

#### FineCut consumables



	Shield / Deflector	Retaining cap	Nozzle	Electrode	Swirl ring
40 A	120979	120928	220329	120926*	120925
40 A CE	220325	120928	220329	120926*	120925
Ohmic	220404	220061			



**For improved performance, retrofit with a Duramax MRT [see page 85].**

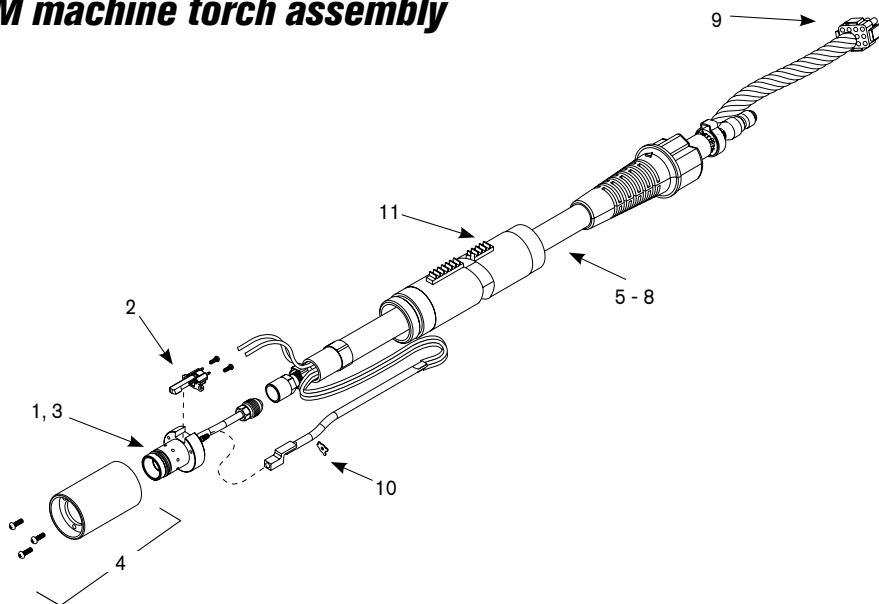
#### TECHNOLOGIES

**FineCut®**  
**Coaxial-assist™ jet**  
**Vented shield**  
**Spiral groove**  
**HyLife®**

\* Consumables available in multiple packaging options, see page 87 for bulk package information.

# powermax1000

## T60M machine torch assembly



### Assembly

Part number	Description
083175*	T60M machine torch assembly with 15' (4.6 m) leads
083174*	T60M machine torch assembly with 25' (7.6 m) leads
083176*	T60M machine torch assembly with 35' (10.7 m) leads
083177*	T60M machine torch assembly with 50' (15.2 m) leads
083209*	T60M machine torch assembly with 75' (22.9 m) leads
059309*	Test torch with 6' (1.8 m) leads
128645	Kit: Torch mounting
1. 128640	Kit: T60M/T80M torch main body replacement (does not include cap sensor)
2. 128639	Kit: Cap sensor switch replacement
075571	Cap-off sensor screws
3. 128521	Kit: T60/T80, T60M/T80M torch head repair (does not include head)
4. 128643	Kit: T60M/T80M mounting sleeve replacement
5. 128634	Kit: T60M/T80M lead replacement, 15' (4.6 m)
6. 128633	Kit: T60M/T80M lead replacement, 25' (7.6 m)
7. 128635	Kit: T60M/T80M lead replacement, 35' (10.7 m)
8. 128641	Kit: T60M/T80M lead replacement, 50' (15.2 m)
9. 128638	Kit: ETR connector repair (regional repair centers only)
10. 027889	Retaining clip
11. 128710	Kit: T60/T80M positioning sleeve replacement
128650	On/Off pendant for machine torch, 25' (7.6 m)
128651	On/Off pendant for machine torch, 50' (15.2 m)
128652	On/Off pendant for machine torch, 75' (22.9 m)
123645	Work lead with clamp, 20' (6.1 m)
128717	Work lead with clamp, 50' (15.2 m)

\*Assembly includes consumables

