

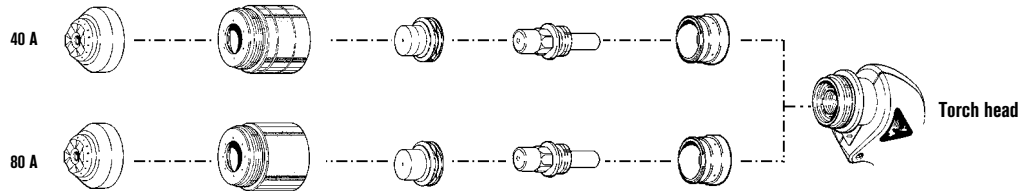
Hypertherm®

powermax1100

PAC135T hand torch consumables

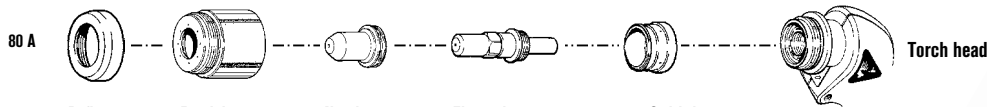


Shielded consumables



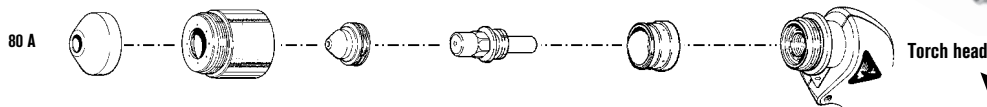
	Shield	Retaining cap	Nozzle	Electrode	Swirl ring
40 A	120475	120520	120515	120473	120474
80 A	120475	120483	120476	120473	120474

Extended* consumables



	Deflector	Retaining cap	Nozzle	Electrode	Swirl ring
80 A	120519	120483	120518	120517	120474

Gouging consumables



	Shield	Retaining cap	Nozzle	Electrode	Swirl ring
80 A	120510	120483	120509	120473	120474



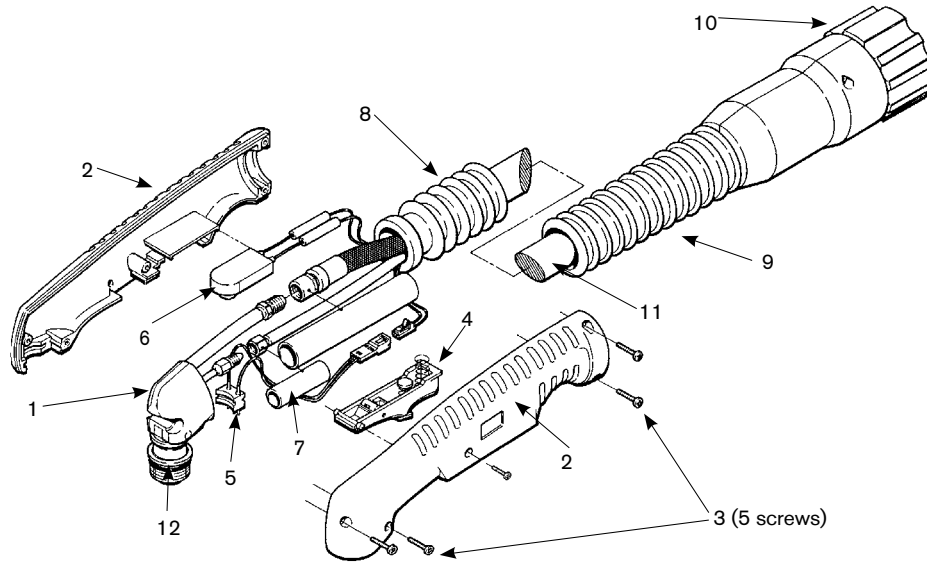
For improved performance, retrofit with the RT80 torch [see page 79].

TECHNOLOGIES
Vented shield
HyLife®

* In countries following CE standards, unshielded consumables may only be used in mechanized torch applications.

powermax1100

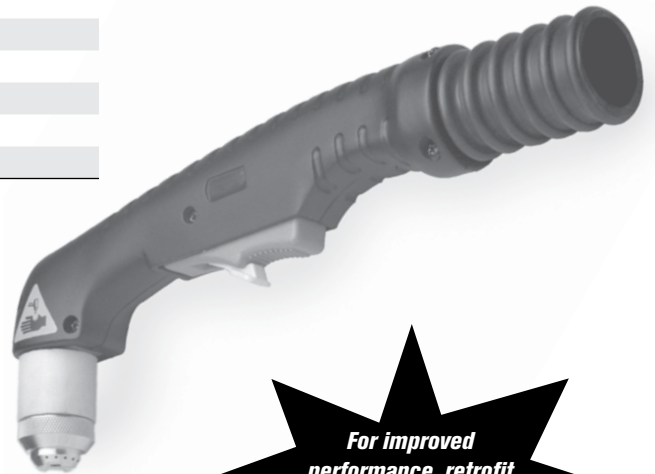
PAC135T hand torch assembly



Assembly

Part number	Description
085001*	PAC135T torch assembly, quick disconnect with 25' (7.6 m) leads
085061*	PAC135T torch assembly, quick disconnect with 50' (15.2 m) leads
1. 120477	Torch main body
2. 001615	Handle (includes both halves)
3. 075497	Screws, #6 x 5/8", phillips head, pan head (five required)
4. 128409	Safety trigger upgrade assembly
5. 005212	Switch assembly, cap-on sensor
6. 005247	Push button switch
7. 046072	Heatshrink: 1/2" ID
8. 001616	Torch boot
9. 002277	Quick disconnect boot
10. 128122	Plug assembly: Torch quick disconnect
11. 129559	Torch lead, 25' (7.6 m)
11. 129560	Torch lead, 50' (15.2 m)
12. 026020	O-ring, silicon
128145	Work lead with clamp, 50' (15.2 m)

*Assembly includes consumables



For improved performance, retrofit with the RT80 torch (see page 79).

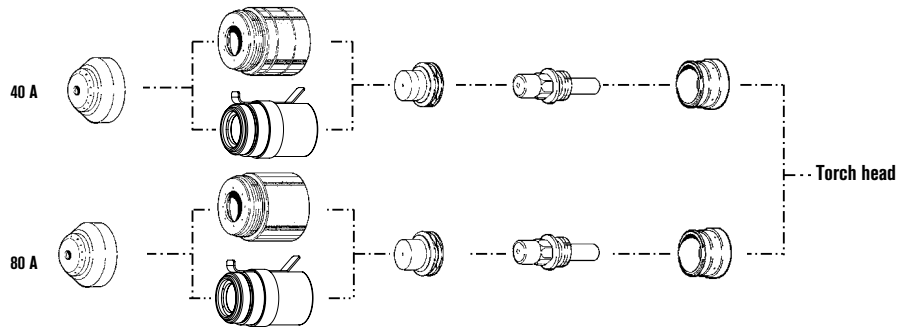
Hypertherm®

powermax1100

PAC135M machine torch consumables

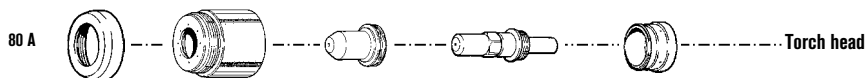


Shielded consumables



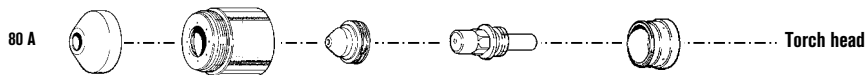
	Shield	Retaining cap	Nozzle	Electrode	Swirl ring
40 A	120516	120520	120515	120473	120474
80 A	120516	120483	120476	120473	120474
Ohmic		120968			

Extended consumables

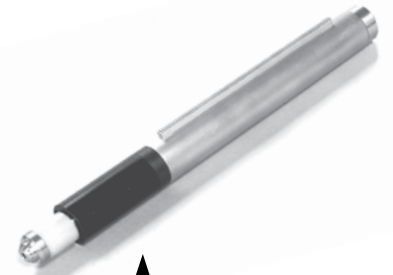


	Deflector	Retaining cap	Nozzle	Electrode	Swirl ring
80 A	120519	120483	120518	120517	120474

Gouging consumables



	Shield	Retaining cap	Nozzle	Electrode	Swirl ring
80 A	120510	120483	120509	120473	120474

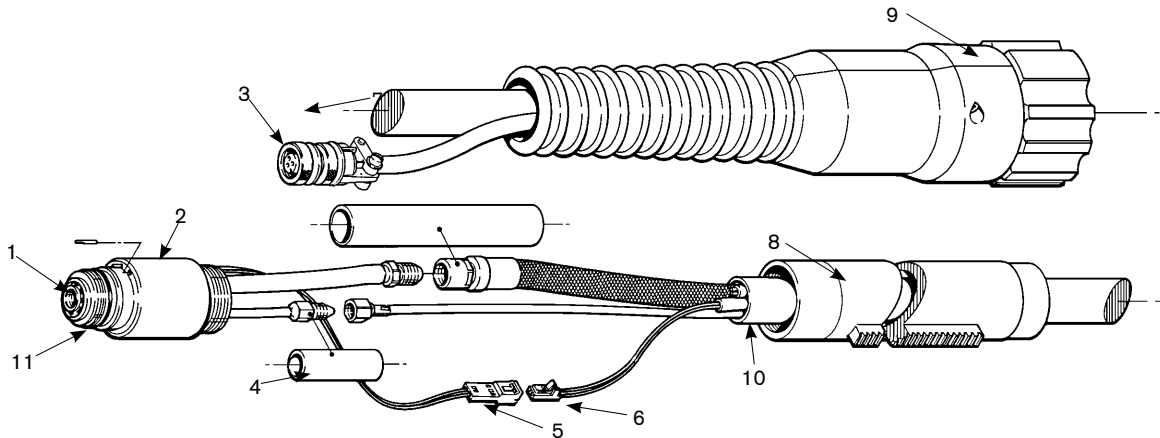


For improved performance, retrofit with the RT80M torch (see page 81).

TECHNOLOGIES
Vented shield
HyLife®

powermax1100

PAC135M machine torch assembly



Assembly

Part number	Description
085062*	PAC135M torch assembly with 14' (4.3 m) leads
085063*	PAC135M torch assembly with 25' (7.6 m) leads
085064*	PAC135M torch assembly with 35' (10.7 m) leads
085065*	PAC135M torch assembly with 50' (15.2 m) leads
1. 108040	Contact: Cap-on sensor switch
2. 120508	Torch main body
3. 008268	Plug: 3-socket female
4. 046072	Heatshrink: 1/2" ID
5. 108035	Pin housing: 2-position 26-22 AWG
6. 108034	Receptacle housing: 2-position 26-22 AWG
7. 046056	Tubing: 5/8" ID
8. 020243	Sleeve, torch position
9. 128122	Plug assembly: Torch quick disconnect
10. 129240	Torch lead, 14' (4.3 m)
10. 129241	Torch lead, 25' (7.6 m)
10. 129242	Torch lead, 35' (10.7 m)
10. 129243	Torch lead, 50' (15.2 m)
11. 026020	O-ring, silicon
028714	On/Off pendant, 25' (7.6 m)
128061	On/Off pendant, 50' (15.2 m)
128062	On/Off pendant, 75' (22.9 m)
128145	Work lead with clamp, 50' (15.2 m)

*Assembly includes consumables



For improved performance, retrofit with the RT80M torch [see page 81].