

Hypertherm®

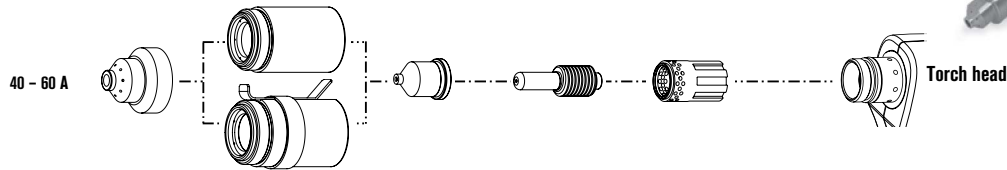
RT60M Retrofit torch

For Powermax600/800/900, MAX42/43

RT60M machine torch consumables

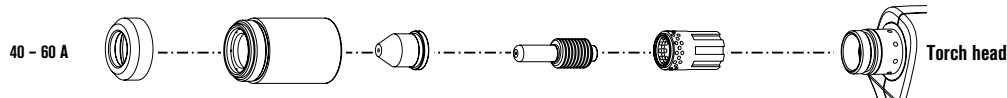


Shielded consumables



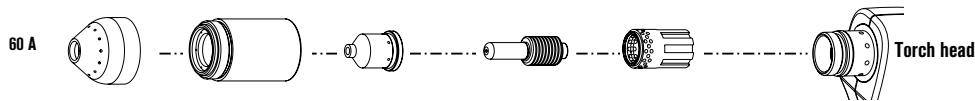
	Shield	Retaining cap	Nozzle	Electrode	Swirl ring
40 A	120930	120928	120932	120926*	120925
60 A	120930	120928	120931	120926*	120925
Ohmic		220061			

Unshielded consumables



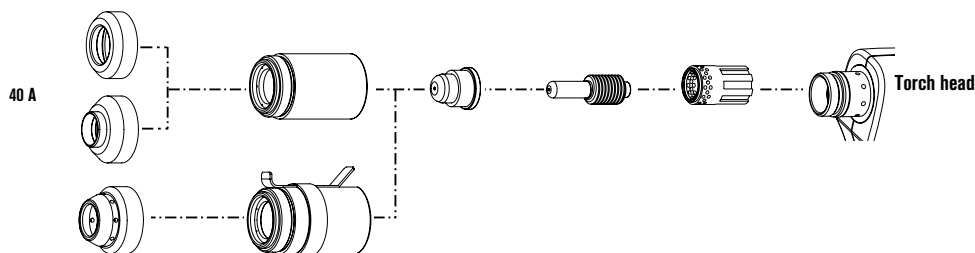
	Deflector	Retaining cap	Nozzle	Electrode	Swirl ring
40 A	120979	120928	220006*	120926*	120925
60 A	120979	120928	220007*	120926*	120925

Gouging consumables



	Shield	Retaining cap	Nozzle	Electrode	Swirl ring
60 A	120977	120928	220059	120926*	120925

FineCut consumables



	Shield / Deflector	Retaining cap	Nozzle	Electrode	Swirl ring
40 A	120979	120928	220329	120926*	120925
40 A CE	220325	120928	220329	120926*	120925
Ohmic	220404	220061			

TECHNOLOGIES

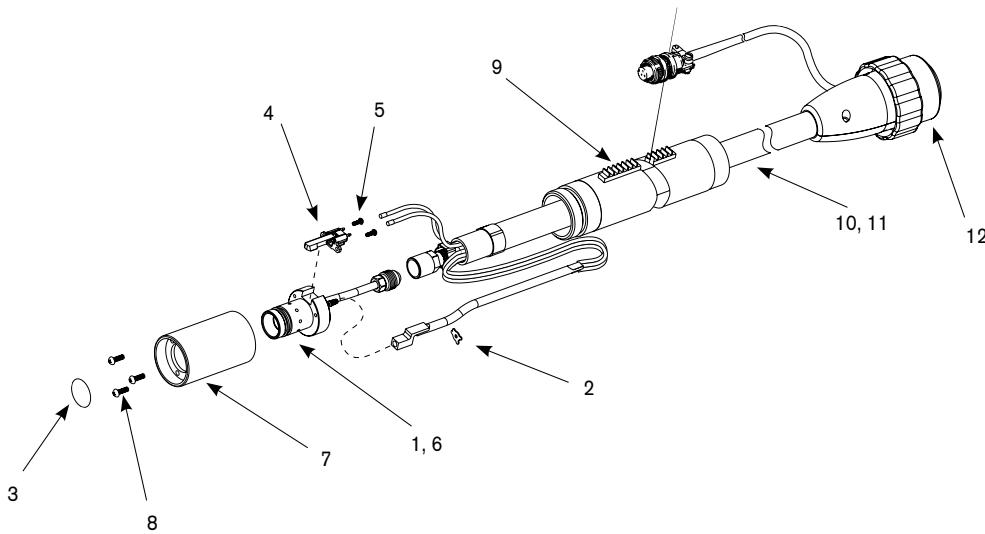
FineCut®
Coaxial-assist™ jet
Spiral groove
HyLife®
Vented shield

* Consumables available in multiple packaging options, see page 87 for bulk package information.

Hypertherm, Powermax, FineCut, Coaxial-assist and HyLife are trademarks of Hypertherm, Inc. and may be registered in the United States and/or other countries.

RT60M

RT60M machine torch assembly



Assembly

Part number	Description
083217*	RT60M machine torch assembly with 25' (7.6 m) leads
083218*	RT60M machine torch assembly with 50' (15.2 m) leads
083219*	Test torch with 6' (1.8 m) leads
1. 128640	Kit: torch main body replacement (does not include cap sensor)
2. 027889	Retaining clip
3. 058519	O-ring
4. 128639	Kit: cap-off sensor replacement
5. 075571	Cap-off sensor screws
6. 128521	Kit: torch head repair (does not include head, includes screws)
7. 128643	Kit: torch mounting sleeve replacement
8. 075618	Torch mounting screws
9. 128710	Torch positioning sleeve
10. 128924	Torch lead replacement, 25' (7.6 m)
11. 128925	Torch lead replacement, 50' (15.2 m)
12. 128926	Kit: RT60/RT60M quick disconnect repair
128645	Torch mounting kit (for reassembly after installation)

*Assembly includes consumables

