

# Hypertherm®

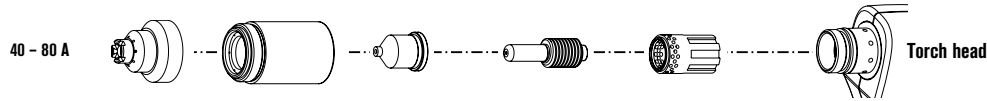
## RT80 Retrofit torch

For Powermax1100

### RT80 hand torch consumables

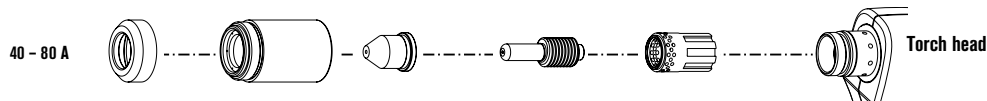


#### Shielded consumables



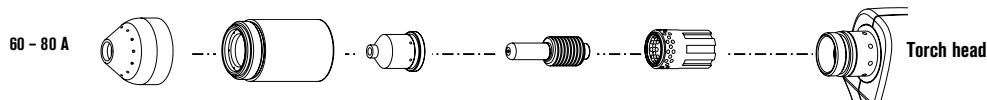
	Shield	Retaining cap	Nozzle	Electrode	Swirl ring
40 A	120929	120928	120932*	120926*	120925
60 A	120929	120928	120931*	120926*	120925
80 A	120929	120928	120927*	120926*	120925

#### Unshielded\*\* consumables



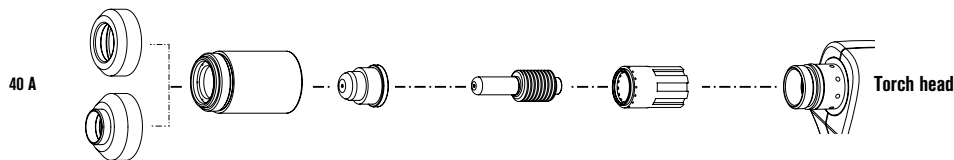
	Deflector	Retaining cap	Nozzle	Electrode	Swirl ring
40 A	120979	120928	220006	120926*	120925
60 A	120979	120928	220007	120926*	120925
80 A	120979	120928	120980	120926*	120925

#### Gouging consumables



	Shield	Retaining cap	Nozzle	Electrode	Swirl ring
60 - 80 A	120977	120928	220059	120926*	120925

#### FineCut consumables



	Deflector	Retaining cap	Nozzle	Electrode	Swirl ring
40 A	120979	120928	220329	120926*	220327
40 A CE***	220325	120928	220329	120926*	220327

#### TECHNOLOGIES

**FineCut®**  
**Coaxial-assist™ jet**  
**Spiral groove**  
**HyLife®**  
**Vented shield**

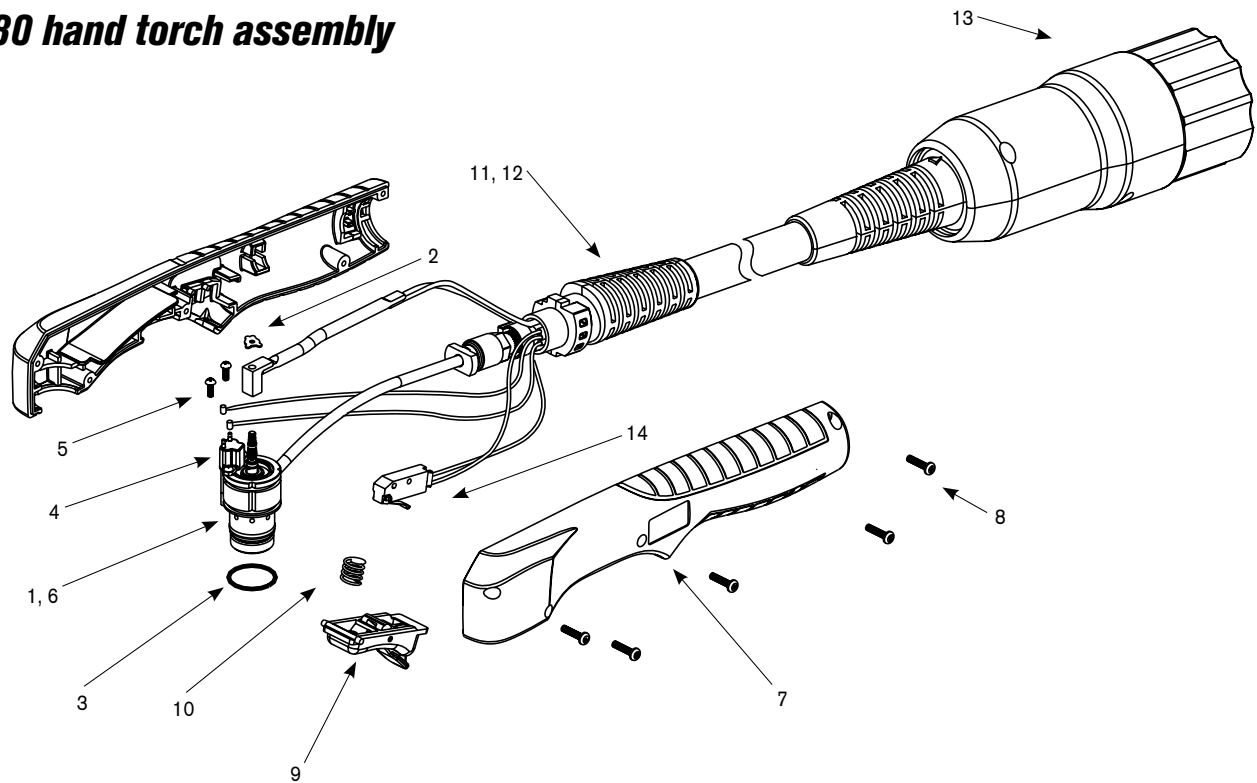
\* Consumables available in multiple packaging options, see page 87 for bulk package information.

\*\* In countries following CE standards, unshielded consumables may only be used in mechanized torch applications.

\*\*\* CE shield for use in countries requiring CE, CCC, GOST marks.

# RT80 for Powermax 1100

## RT80 hand torch assembly



### Assembly

Part number	Description
087033*	RT80 hand torch assembly with 25' (7.6 m) leads
087034*	RT80 hand torch assembly with 50' (15.2 m) leads
1. 128564	Kit: torch main body replacement (does not include cap sensor)
2. 027889	Retaining clip
3. 058519	O-ring
4. 128639	Kit: cap-off sensor replacement
5. 075571	Cap-off sensor screws
6. 128521	Kit: torch head repair (does not include head, includes screws)
7. 128644	Kit: handle
8. 075586	Handle screws
9. 002244	Safety trigger
10. 027254	Trigger spring
11. 128829	Torch lead replacement, 25' (7.6 m)
12. 128830	Torch lead replacement, 50' (15.2 m)
13. 128826	Kit: quick disconnect repair
14. 128642	Kit: start switch replacement

\*Assembly includes consumables

