

# Hypertherm®

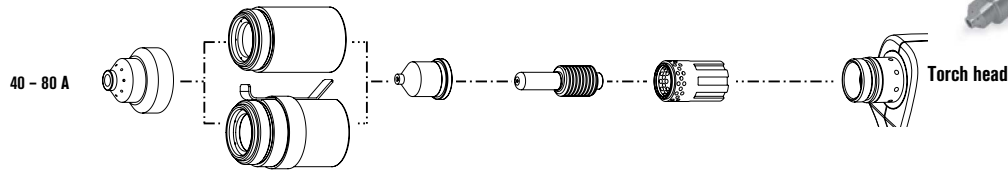
## RT80M Retrofit torch

For Powermax1100

### RT80M machine torch consumables

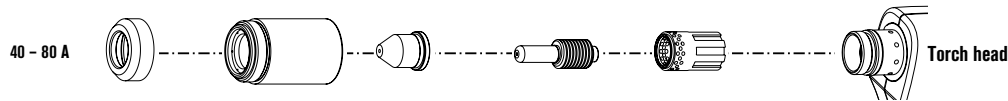


#### Shielded consumables



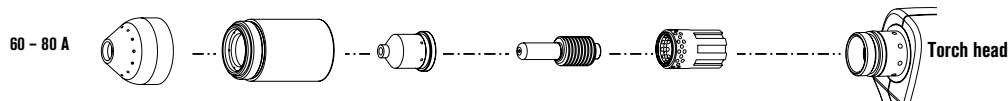
	Shield	Retaining cap	Nozzle	Electrode	Swirl ring
40 A	120930	120928	120932*	120926*	120925
60 A	120930	120928	120931*	120926*	120925
80 A	120930	120928	120927*	120926*	120925
Ohmic		220061			

#### Unshielded consumables



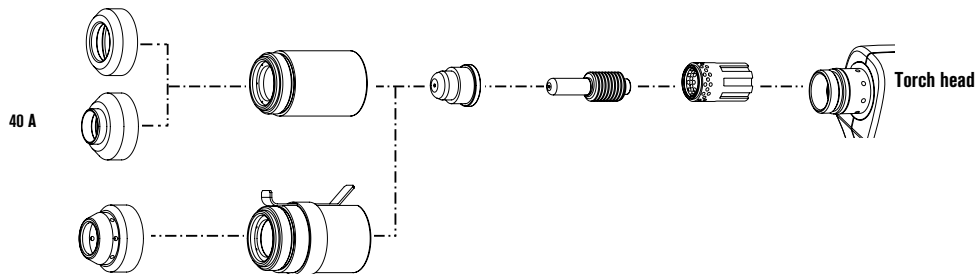
	Deflector	Retaining cap	Nozzle	Electrode	Swirl ring
40 A	120979	120928	220006	120926*	120925
60 A	120979	120928	220007	120926*	120925
80 A	120979	120928	120980	120926*	120925

#### Gouging consumables



	Shield	Retaining cap	Nozzle	Electrode	Swirl ring
60 - 80 A	120977	120928	220059	120926*	120925

#### FineCut consumables



	Shield / Deflector	Retaining cap	Nozzle	Electrode	Swirl ring
40 A	120979	120928	220329	120926*	120925
40 A CE	220325	120928	220329	120926*	120925
Ohmic	220404	220061			

\* Consumables available in multiple packaging options, see page 87 for bulk package information.

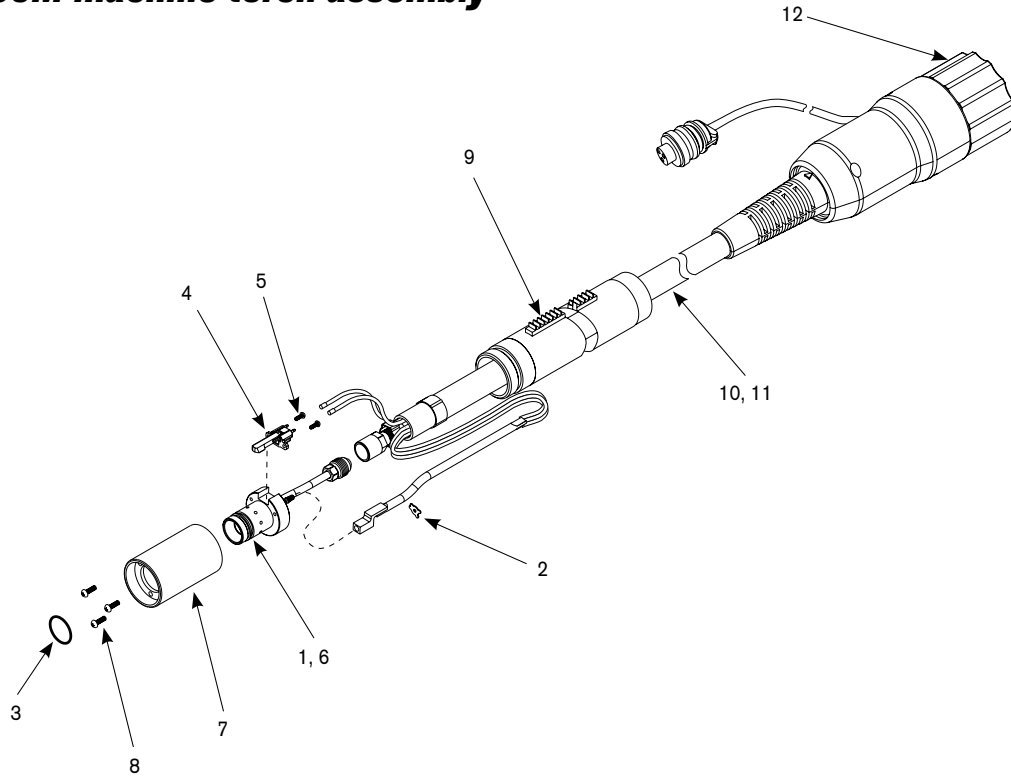
#### TECHNOLOGIES

**FineCut®**  
**Coaxial-assist™ jet**  
**Spiral groove**  
**HyLife®**  
**Vented shield**

Hypertherm, Powermax, FineCut, Coaxial-assist and HyLife are trademarks of Hypertherm, Inc. and may be registered in the United States and/or other countries.

# RT80M for Powermax1100

## RT80M machine torch assembly



### Assembly

Part number	Description
087035*	RT80M machine torch assembly with 25' (7.6 m) leads
087036*	RT80M machine torch assembly with 50' (15.2 m) leads
1. 128640	Kit: torch main body replacement (does not include cap sensor)
2. 027889	Retaining clip
3. 058519	O-ring
4. 128639	Kit: cap-off sensor replacement
5. 075571	Cap-off sensor screws
6. 128521	Kit: torch head repair (does not include head, includes screws)
7. 128643	Kit: torch mounting sleeve replacement
8. 075618	Torch mounting screws
9. 128710	Torch positioning sleeve
10. 128827	Torch lead replacement, 25' (7.6 m)
11. 128828	Torch lead replacement, 50' (15.2 m)
12. 128926	Kit: quick disconnect repair
128645	Torch mounting kit (for reassembly after installation)

\*Assembly includes consumables

